

NUMBER 178293

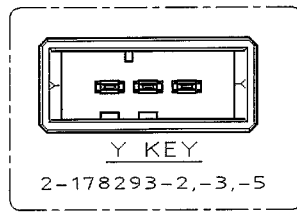
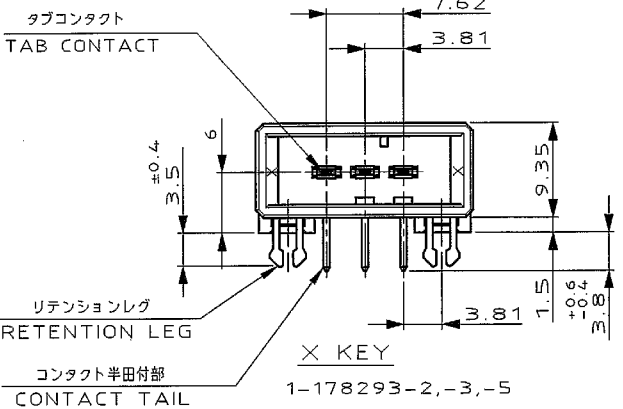
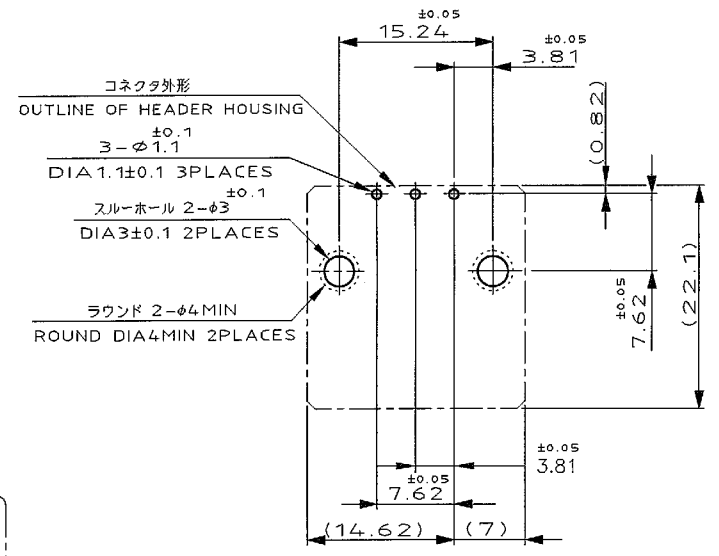
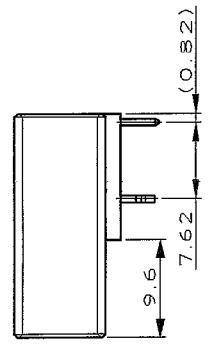
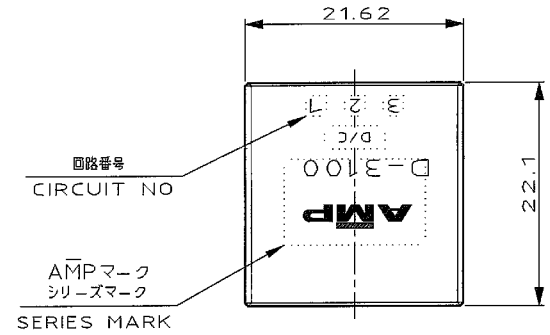


METRIC

DIMENSIONS IN MILLIMETERS. DO NOT SCALE PRINT

PRINT DIST

AMP-J
REV.10/83



推奨基板取付け寸法
PC 基板厚: 1.6±0.1
(非累積公差)
(コネクタ搭載面)

RECOMEND PC BOARD HOLE PATTERN
PC BOARD THICKNESS: 1.6±0.1
(NOT ACCUMULATE TOLERANCE)
(CONNECTOR MOUNT SIDE)

NOTES

1. MATERIAL: HOUSING: GLASS FILED THERMO PLASTIC, POLYESTER
CONTACT: COPPER ALLOY
RETENTION LEG: COPPER ALLOY
- △ FINISH (CONTACT AREA): 0.38 μm MIN GOLD PLATING OVER Ni PLATING
- △ FINISH (CONTACT AREA): 0.76 μm MIN GOLD PLATING OVER Ni PLATING
- △ FINISH (CONTACT AREA): 2.0 μm MIN TIN PLATED OVER NICKEL
- △ FINISH (RETENTION LEG): TIN-LEAD PLATED (CONTACT TAIL) OVER NICKEL
- △ FINISH (RETENTION LEG): TIN PLATED (CONTACT TAIL) OVER NICKEL

注記

1. 材料: ハウジング: ガラス入り熱可塑性ポリエステル樹脂
コネクタ: 銅合金
リテンションレグ: 銅合金
- △ めっき: コネクタ: 全面Ni下地
接触部: 0.38 μm MIN めっき
- △ めっき: コネクタ: 全面Ni下地
接触部: 0.76 μm MIN めっき
- △ めっき: コネクタ: 全面Ni下地
接触部: 2.0 μm MIN スズめっき
- △ めっき: リテンションレグとコンタクト半田付部
ニッケル下地の土に半田めっき
- △ めっき: リテンションレグとコンタクト半田付部: ニッケル下地の土にスズめっき

| | | |
|----------|-----|-----------------|
| △ 6 | △ 4 | 1,2-178293-5 |
| △ 6 | △ 3 | 1,2-178293-3 |
| △ 6 | △ 2 | 1,2-178293-2 |
| (FINISH) | | 製品番号 (PART NO.) |

| | | | | |
|-----|------------------------|----|------|---------|
| C | REVISED (FJDO-0039-03) | TS | S.M. | 4/15/92 |
| B | REVISED (FJDO-0097-03) | TS | S.M. | 7/03/92 |
| A | REDRAWN (FJDO-2183-95) | KI | S.M. | 3/23/95 |
| LTR | REVISION RECORD | DR | CHK | DATE |

| | | | | | |
|--|--|----------------------------|--|---|-----------------|
| Copyright © 1995 AMP (Japan) LTD. ALL RIGHTS RESERVED. | | tyco Electronics | | Tyco Electronics AMP K.K. Kawasaki, Japan | |
| WIRE RANGE mm ² (AWG -) | | INSULATION DIA mm | | NAME 3 POS SINGLE ROW HORIZONTAL HDR ASS'Y FOR DYNAMIC 3100 | |
| MATERIAL SEE NOTE 注記参照 | | FINISH SEE NOTE 注記参照 | | (GENERAL TOLERANCE) 10% ±0.3 30% ±0.4 100% ±0.5 | |
| DR. 20/MAR/95 K.IKEDA | | DE. 20/MAR/95 K.IKEDA | | SIZE A3 | LOC J |
| CHK. S. MAMBE | | APP. S. MAMBE | | NUMBER C-178293 | SCALE 2-1 |
| | | | | REV. C | SHEET 1 OF 1 |

(CUSTOMER DRAWING) 顧客用図面